

Automatic Battery Control (EMS-ABC)

Battery Management System with Intelligent Load/Charge Mode Detection.



Advantages:

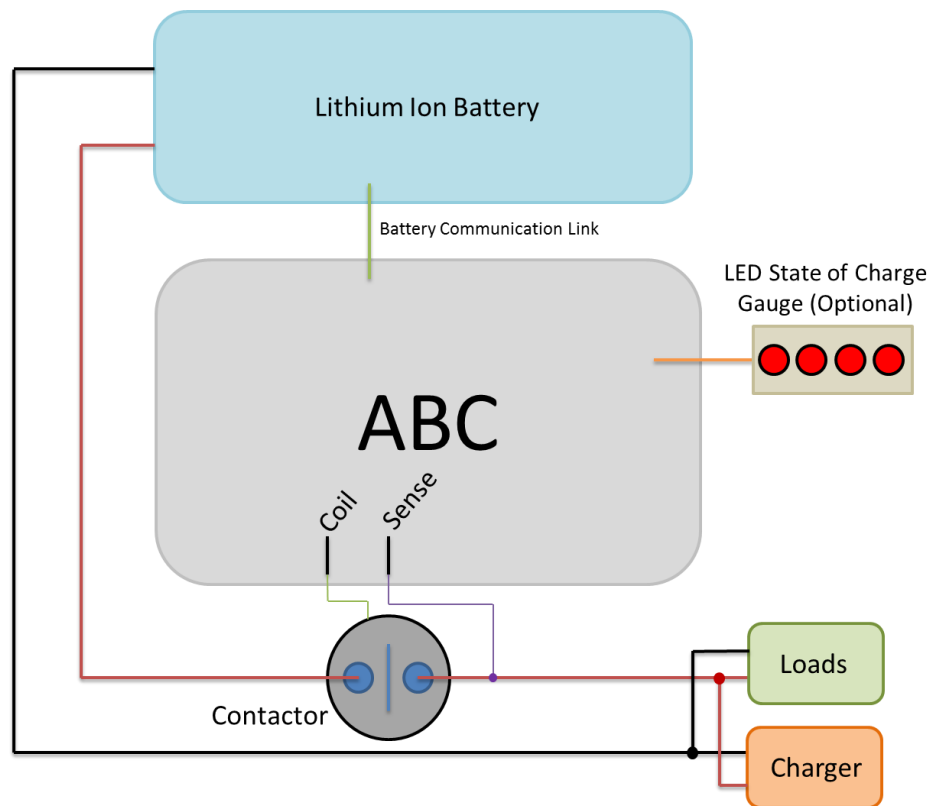
- Utilizes a single contactor for under and over voltage protection.
- Simplifies installation.
- Available 4-LED State of Charge Display.

Applications:

- Energy Storage Systems.
- Recreational Vehicles.

Features:

- Load/Charge mode detection.
- All standard EMS features.
- No data export option.



Part Number: EMS-ABC



Elite Power Solutions, LLC.
335 E Warner Rd. STE 3
Chandler, AZ 85225
www.ElitePowerSolutions.com

E: Sales@ElitePowerSolutions.com
P: 602-687-7784